

Specifications

Engine

Model	HINO P11C-UP
Type	Water-cooled, 4-cycle 6-cylinder direct injection type diesel engine with intercooler turbo-charger
No. of cylinders	6
Bore and stroke	122 mm x 150 mm
Displacement	10.52 L
Rated power output	Net 257 kW/1,850 min ⁻¹ (ISO 14396: without fan)
Max. torque	Net 1,400 N.m/1,400 min ⁻¹ (ISO 14396: without fan)

Hydraulic System

Pump	
Type	Two variable displacement pumps + One gear pump
Max. discharge flow	2 x 370 L/min Extra gear pump 60 L/min
Relief valve setting	
Excavating circuits (main)	31.4 MPa
Power Boost	34.3 MPa
Travel circuit	34.3 MPa
Swing circuit	26.0 MPa
Pilot control circuit	5.0 MPa
Pilot control pump	Gear type
Main control valve	8-spool
Oil cooler	Air cooled type

Swing System

Swing motor	Axial piston motor
Brake	Hydraulic; locking automatically when the swing control lever is in neutral position
Parking brake	Wet multiple plate, hydraulic operated automatically
Swing speed	7.6 min ⁻¹

Attachments

Backhoe bucket and combination

Use		Backhoe bucket		
		Heavy digging		Mass Excavating
Bucket capacity	ISO heaped m ³	1.9	2.1	3.4
Opening width	With side cutters mm	1,470	1,570	1,900
	Without side cutters mm	1,370	1,470	1,810
No. of teeth		5	5	6
Bucket weight	kg	2,370	2,470	2,410
Combination	ME 6.5 m boom and ME 2.6 m arm	—	—	○
	3.0 m arm with 9,800 kg counterweight	○	○	—
	3.45 m arm with 9,800 kg counterweight	○	○	—

○ Recommended — Not applicable

Travel System

Travel motors	Variable displacement piston pump
Travel brakes	Hydraulic
Parking brakes	Wet multiple plate
Travel shoes	50 each side
Travel speed (high/low)	5.4/3.4 km/h
Drawbar pulling force	415 kN
Gradeability	70% (35 deg)

Cab & Control

Cab	
International Comfort Cab with dust free enclosure and with internal pressure of 97 Pa (earlier cab 27 Pa). All-weather, sound-suppressed steel cab mounted on the high suspension mounts filled with silicone oil and equipped with a heavy, insulated floor mat.	
Control	
Two hand levers and two foot pedals for travel	
Two hand levers for excavating and swing	
Electric rotary-type engine throttle	

Boom, Arm & Bucket

Boom cylinders	170 mm x 1,590 mm	
Arm cylinder	190 mm x 1,970 mm	
Bucket cylinder	ME 2.6 m arm	170 mm x 1,429 mm
	3.0 m arm	160 mm x 1,410 mm
	3.45 m arm	160 mm x 1,410 mm

Refilling Capacities & Lubrications

Fuel tank	638 L
Cooling system	47.4 L
Engine oil	42.5 L
Travel reduction gear	2 x 15 L
Swing reduction gear	2 x 5 L
Hydraulic oil tank	371 L tank oil level
	631 L hydraulic system

Specifications



Working Ranges

Unit: m

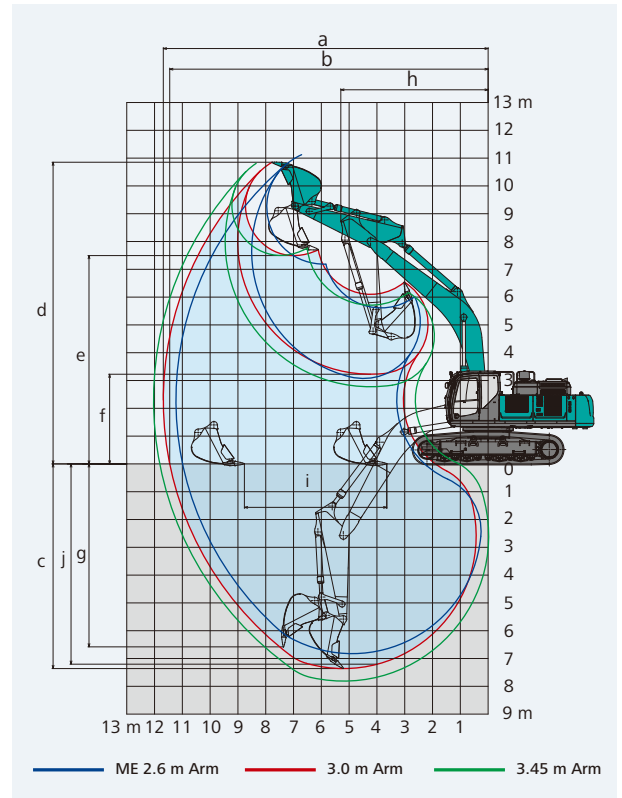
Boom	Arm	ME 6.5 m		7.0 m	
		ME 2.6 m	3.0 m	3.45 m	
Range					
a- Max. digging reach		11.25	11.69	12.04	
b- Max. digging reach at ground level		11.01	11.45	11.81	
c- Max. digging depth		6.82	7.36	7.81	
d- Max. digging height		11.12	10.85	10.81	
e- Max. dumping clearance		7.18	7.49	7.5	
f- Min. dumping clearance		3.07	3.23	2.78	
g- Max. vertical wall digging depth		6.09	6.58	6.87	
h- Min. swing radius		4.96	5.31	5.19	
i- Horizontal digging stroke at ground level		3.87	5.12	5.91	
j- Digging depth for 2.4 m (8') flat bottom		6.66	7.2	7.67	
Bucket capacity ISO heaped m ³		3.4	2.1	1.9	

Digging Force (ISO 6015)

Unit: kN

Arm length	ME 2.6 m	3.0 m	3.45 m
Bucket digging force	282/308*	267/292*	268/293*
Arm crowding force	239/261*	223/244*	203/222*

*Power Boost engaged.



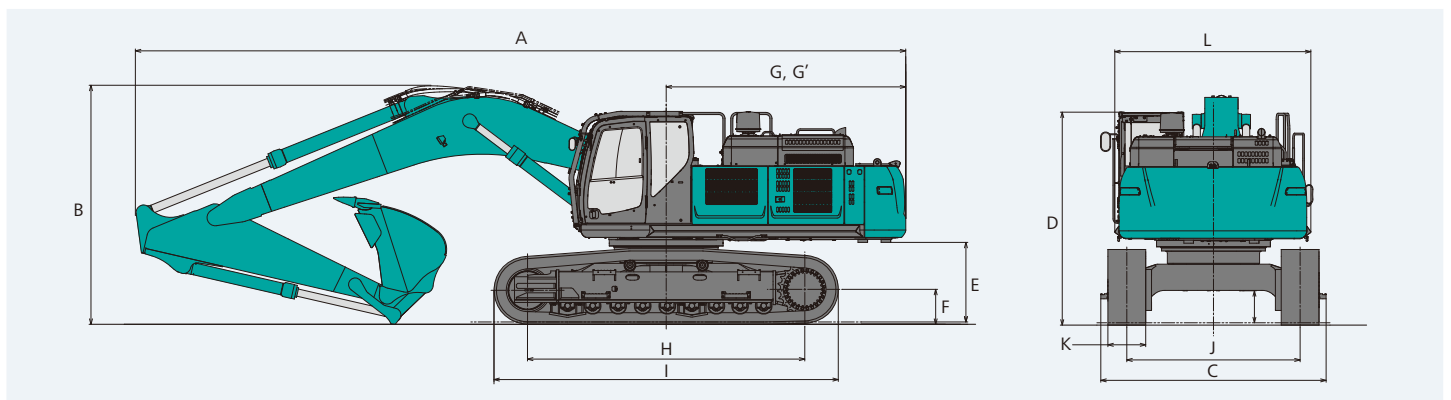
Dimensions

Unit: mm

Arm length	ME 2.6 m	3.0 m	3.45 m
A Overall length	12,060	12,210	12,230
B Overall height (to top of boom)	4,330	3,780	3,790
C Overall width		3,580	
D Overall height (to top of cab)		3,380	
E Ground clearance of rear end*		1,260*	
F Ground clearance*		510*	

G Tail swing radius	SK500XDLC	3,800
	SK520XDLC	3,880
G' Distance from center of swing to rear end	SK500XDLC	3,800
	SK520XDLC	3,880
H Tumbler distance		4,400
I Overall length of crawler		5,460
J Track gauge		2,750
K Shoe width		600
L Overall width of upperstructure		3,110

*Without including height of shoe lug.



Operating Weight & Ground Pressure

In standard trim, with ME 6.5 m boom, ME 2.6 m arm, 3.4 m³ ISO heaped bucket, and 11,200 kg counterweight

Shaped		Triple grouser shoes (even height)	Double grouser shoes
Shoe width	mm	600	600
Overall width of crawler	mm	3,350	3,350
Ground pressure	kPa	92.1	91.8
Operating weight	kg	53,700	53,500

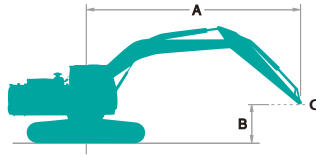
In standard trim, with 7.0 m boom, 3.45 m arm, 1.9 m³ ISO heaped bucket, and 9,800 kg counterweight

Shaped		Triple grouser shoes (even height)	Double grouser shoes
Shoe width	mm	600	600
Overall width of crawler	mm	3,350	3,350
Ground pressure	kPa	89.4	89.1
Operating weight	kg	52,200	52,000

Lift Capacities

SK500XD_{LC}
SK500XDLC-10

SK520XD_{LC}
SK520XDLC-10



Rating over front



Rating over side or 360 degrees

A: Reach from swing centerline to arm top
B: Arm top height above/below ground
C: Lift point
Relief valve setting: 34.3 MPa

SK500XDLC		Boom: 7.0 m Arm: 3.45 m Bucket: without Counterweight: 9,800 kg Shoe: 600 mm (Heavy Lift)												
A \ B		3.0 m		4.5 m		6.0 m		7.5 m		9.0 m		At Max. Reach		Radius
9.0 m	kg											*8,800	*8,800	7.72 m
7.5 m	kg											*8,320	*8,320	8.82 m
6.0 m	kg							*10,490	*10,490	*9,960	8,350	*8,170	7,490	9.56 m
4.5 m	kg			*17,800	*17,800	*13,610	*13,610	*11,550	10,780	*10,440	8,120	*8,260	6,780	10.01 m
3.0 m	kg			*22,430	21,080	*15,850	14,060	*12,790	10,240	*11,100	7,830	*8,580	6,400	10.23 m
1.5 m	kg			*18,340	*18,340	*17,700	13,250	*13,910	9,760	*11,730	7,550	*9,150	6,280	10.22 m
G.L.	kg			*21,230	19,370	*18,740	12,790	*14,660	9,440	*12,140	7,360	*10,070	6,400	9.98 m
-1.5 m	kg	*15,570	*15,570	*25,320	19,370	*18,900	12,620	*14,870	9,290	12,070	7,300	11,220	6,830	9.49 m
-3.0 m	kg	*24,510	*24,510	*23,730	19,610	*18,120	12,700	*14,280	9,340			*11,660	7,720	8.73 m
-4.5 m	kg	*27,600	*27,600	*20,750	20,120	*16,040	13,030	*12,120	9,680			*11,860	9,550	7.58 m

SK500XDLC		Boom: 7.0 m Arm: 3.0 m Bucket: without Counterweight: 9,800 kg Shoe: 600 mm (Heavy Lift)												
A \ B		3.0 m		4.5 m		6.0 m		7.5 m		9.0 m		At Max. Reach		Radius
9.0 m	kg											*10,620	*10,620	7.25 m
7.5 m	kg							*10,600	*10,600			*9,910	9,350	8.41 m
6.0 m	kg							*11,120	*11,120	*10,580	8,250	*9,650	7,950	9.18 m
4.5 m	kg			*19,330	*19,330	*14,400	*14,400	*12,120	10,670	*10,930	8,060	*9,710	7,170	9.65 m
3.0 m	kg					*16,550	13,850	*13,270	10,150	*11,490	7,800	*10,020	6,760	9.88 m
1.5 m	kg					*18,180	13,120	*14,270	9,710	*12,030	7,560	*10,650	6,640	9.86 m
G.L.	kg			*18,600	*18,600	*18,950	12,760	*14,870	9,440	*12,180	7,410	11,110	6,800	9.62 m
-1.5 m	kg	*14,690	*14,690	*24,800	19,490	*18,820	12,670	*14,870	9,350	*12,000	7,420	*11,760	7,300	9.11 m
-3.0 m	kg	*26,160	*26,160	*22,850	19,810	*17,720	12,830	*13,940	9,480			*12,010	8,370	8.31 m
-4.5 m	kg	*24,800	*24,800	*19,370	*19,370	*15,070	13,260					*11,930	10,650	7.10 m

SK520XDLC		Boom: ME 6.5 m Arm: ME 2.6 m Bucket: without Counterweight: 11,200 kg Shoe: 600 mm (Heavy Lift)												
A \ B		3.0 m		4.5 m		6.0 m		7.5 m		9.0 m		At Max. Reach		Radius
9.0 m	kg											*12,260	*12,260	6.24 m
7.5 m	kg											*10,660	*10,660	7.56 m
6.0 m	kg					*13,130	*13,130	*12,020	11,930			*9,930	9,800	8.41 m
4.5 m	kg					*14,890	*14,890	*12,750	11,530			*9,640	8,760	8.93 m
3.0 m	kg					*16,880	15,130	*13,730	11,060	*12,120	8,490	*9,660	8,250	9.17 m
1.5 m	kg					*18,400	14,450	*14,590	10,670	*12,380	8,330	*10,000	8,140	9.15 m
G.L.	kg					*19,030	14,110	*14,990	10,440			*10,700	8,420	8.88 m
-1.5 m	kg			*24,490	21,620	*18,620	14,080	*14,590	10,440			*12,000	9,220	8.34 m
-3.0 m	kg	*28,180	*28,180	*21,840	*21,840	*16,830	14,340					*12,220	10,920	7.45 m
-4.5 m	kg			*16,690	*16,690							*10,980	*10,980	6.06 m

Notes:

- Do not attempt to lift or hold any load that is greater than these lift capacities at their specified lift point radius and heights. Weight of all accessories must be deducted from the above lift capacities.
- Lift capacities are based on machine standing on level, firm, and uniform ground. User must make allowance for job conditions such as soft or uneven ground, out of level conditions, side loads, sudden stopping of loads, hazardous conditions, experience of personnel, etc.
- Arm top defined as lift point.

- The above lift capacities are in compliance with ISO 10567. They do not exceed 87% of hydraulic lift capacity or 75% of tipping load. Lift capacities marked with an asterisk (*) are limited by hydraulic capacity rather than tipping load.
- Operator should be fully acquainted with the Operator's and Maintenance Instructions before operating this machine. Rules for safe operation of equipment should be adhered to at all times.
- Lift capacities apply to only machine as originally manufactured and normally equipped by KOBELCO CONSTRUCTION MACHINERY CO., LTD.
- The above figures indicate machine capacity, but in practice the machine should not be used for lifting loads.