

Transport

⚠ **WARNING Hoist tipping over / hydraulic attachment falling**

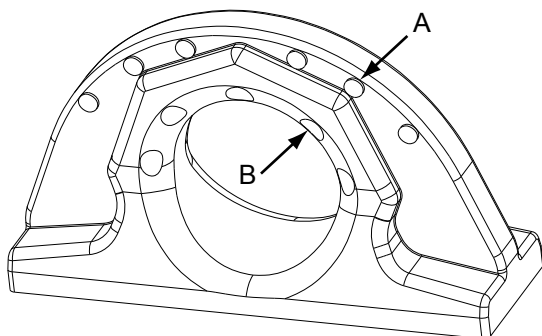
The hydraulic attachment is heavy. The hoist/lifting equipment and/or hydraulic attachment tipping over or falling may cause serious injury and material damage.

- ▶ Only transport the hydraulic attachment with lifting equipment with the right load-bearing capacity for the weight of the hydraulic attachment.
- ▶ Only lift and secure the hydraulic attachment with lifting gear (ropes, chains, shackles etc.) with the right load-bearing capacity for the weight to be lifted.
- ▶ Make sure that there is nobody near or under the suspended hydraulic attachment.

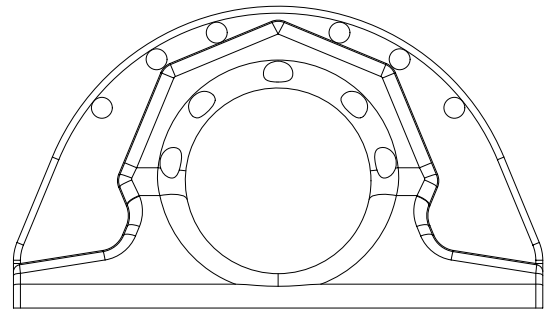
⚠ **WARNING Hydraulic attachment falling**

The lifting eye may fail and cause the hydraulic attachment to fall. This may cause serious injury and material damage.

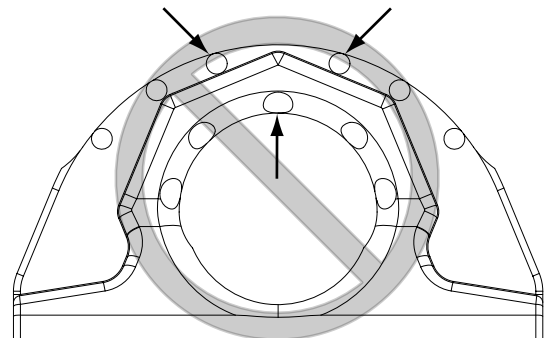
- ▶ Check the lifting eye before you lift the hydraulic attachment. Never lift the hydraulic attachment with the lifting eye if:
 - the checkpoints (A) are worn and not protruding anymore
or
 - the checkpoints (B) are worn and not recessed anymore.



- the material is worn up to the checkpoints (A, B).



Use permitted

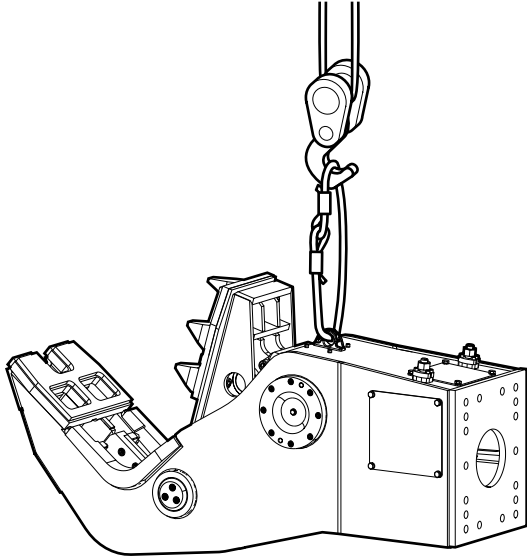


Use prohibited

- the lifting eye is bent.
- you detect cracks in the lifting eye or the weld seam.
- ▶ Contact the Atlas Copco Customer Center/ Dealer in your area if the lifting eye is worn in any way.
- ◆ Transport the hydraulic pulverizer with the pulverizer jaw open.
There is less oil in the hydraulic pulverizer if transported with open pulverizer jaw. In the event of a leak, less oil is lost and the environmental damage is lower.
- ◆ Open the hydraulic pulverizer before transporting it.
- ◆ If the hydraulic pulverizer is transported with a forklift truck or lorry, secure the pulverizer jaw to the pallet with suitable strapping.

Transport using a crane

- ◆ Secure the hydraulic attachment with ropes or chains as shown in the following illustration.



- ◆ Slowly lift the hydraulic attachment.
- ◆ Place the hydraulic attachment on a pallet.