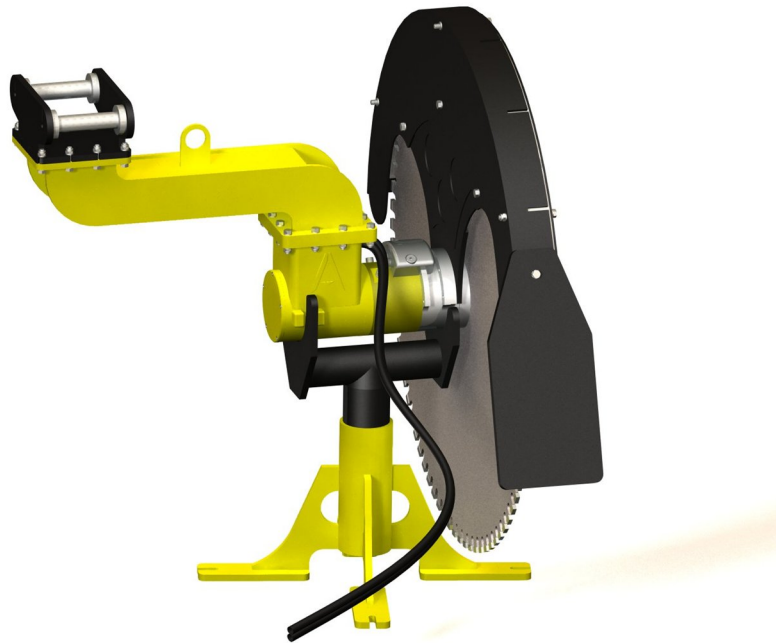


Operators Manual:
Diamond Rock Saw Excavator
Attachment
Austramac Flashcut Series



WARNING! Inappropriate use of rock saw may cause serious injury or death. Operators must read this manual before use and follow all instructions.

**If ever in doubt please call Austramac on +61 2 9453 3855 for assistance.
Keep this operation manual for future reference.**

© Copyright July 2008
Global Precision Pty Ltd

The information in this document is copyright. No part may be reproduced by any process without written permission from the Directors of Global Precision Pty Ltd.



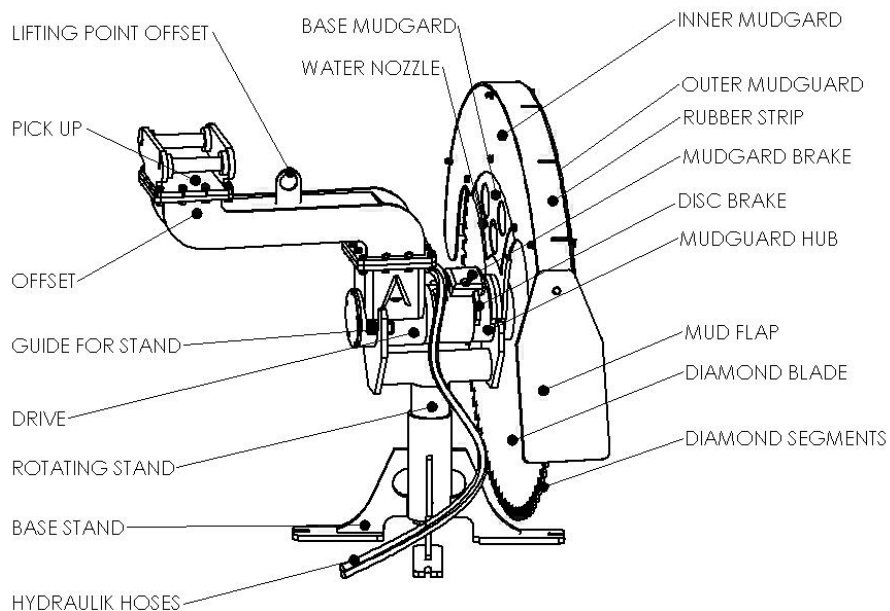
Table of Contents:

1. MACHINE INFORMATION:..... 3
 1.1 Austramac Flashcut Series Machine Components:..... 3
 1.2 Identification of Symbols:..... 3
2. SAFETY PRECAUTIONS:..... 4
 2.1 Essential safety information:..... 4
 2.2 Transport Handling and Storage: 5
 2.3 Installation and Commissioning: 6
 2.4 Use 7
 2.4.1 Secure work site 7
 2.4.2 Plan for cut 7
 2.4.3 Position excavator 7
 2.4.4 Operate saw 7
 2.4.5 Clean saw 8
 2.4.6 Post use inspection 8
3. MAINTENANCE AND SERVICING 9
4. SUGGESTED PRE START CHECK..... 10
5. HAND OVER FORM..... 11

1. MACHINE INFORMATION:

The Austramac Flash Cut Series Rock Saws have been specifically designed for use on excavators to cut through concrete, brick walls and rock. Austramac is a leading designer, manufacturer, supplier and service provider of hydraulic diamond tipped rock saw attachments. Through innovative design and high safety standards Austramac has developed a rock saw that minimises noise, vibration and dust. The Flashcut series is specifically designed to be used on excavators and places very little pressure on them due to its high speed and low power requirements. Some of the innovative features of the Flashcut series include the rotating guard, the rotating stand and the elimination of the need for case drains. **The rock saw is not designed to cut through metal that is not encased in concrete.**

1.1 Austramac Flashcut Series Machine Components:



1.2 Identification of Symbols:



WARNING! Inappropriate use of rock saw may cause serious injury or death. Operators must read this manual before use and follow all instructions.



2. SAFETY PRECAUTIONS:

WARNING! Inappropriate use of rock saw may cause serious injury or death. It is essential that operators read and follow all instructions in this manual. Operators must complete an induction with approved Austramac technician and prove they are competent in use prior to handover. Pre start checks must be completed and the machine maintained to ensure the safety of operators and others.

2.1 Essential Safety Information:

1. Prior to use the a **pre start check** must be completed on the saw and attachment points including the following:
 - a. Ensure the pick up and the quick hitch (or pins) are securely attached to the rock saw.
 - b. Ensure the hydraulic hoses are secured and in good condition.
 - c. Ensure the water is attached and that there is adequate flow.
 - d. Ensure the guard is in the correct position and that it is secure.
 - e. Check the saw blade has no more than two segments in a row missing and no more than 4 in total missing.
 - f. Ensure adequate cutting time is left on blade (minimum 3 mm).
 - g. Ensure blade bolts are tightened to 120Nm and flange bolts to 140Nm.
 - h. Ensure that there is no play in excavator arm.
2. Operator must complete a test run prior to cutting.
3. Ensure that the work area is secure and that all persons are moved to a safe distance.
4. Complete a survey of the site including all **underground services, overhead wires** or other structures that may cause a hazard prior to operating saw.
5. Ensure excavator is in stable secure position prior to operating saw.
6. Operator and others in immediate work area to wear appropriate face, hearing and head protection at all times.
7. Ensure guard and mud flap are in position and in good condition.
8. Operator to work inside appropriately screened excavator, never stand or operate saw in the same plane as the blade and always stand at a safe distance from the saw (minimum 30m).
9. Rock saw to be checked every hour and after use for damage or lose bolts.
10. Only use approved Austramac blade designed for material being cut and the correct size for the rock saw (do not cut metal unless it is imbedded in concrete).
11. Operator to observe blade at all times while cutting, if circular scratches are observed on boundary wall, or blade begins to wobble cease cutting immediately and check bolts.
12. Never use a blade that is out of tension.
13. Keep saw well clear of excavator and other persons.
14. Once the cut is complete slowly raise the saw so that only approximately 100mm of blade is in the cut. Turn off oil and allow blade to stop in cut. Remove saw from cut and place on stand.
15. **Always turn off machine and remove key when getting out of the excavator or performing any maintenance or inspection.**
16. **Never apply lubricants or anti cease to bolts.**



2.2 Transport Handling and Storage:

It is essential that the rock saw is transported in a safe manner to ensure the safety of others and that the machine is not damaged. Austramac have supplied a stand and strap for the purpose of transportation. The rock saw has a tag indicating the weight of the rock saw and blade. The tag also indicates the weight of the saw, blade and stand combined. Operators are responsible for ensuring that they safely transport the rock saw. The rock saw is delivered fully assembled and ready for use. **Operators should consult Austramac for guidance on any repairs or maintenance.**

Transportation Guidelines:

1. Only approved Austramac stand to be used to store rock saw.
2. Use lifting equipment to load rock saw. Ensure lifting equipment is capable of taking the load of the machine as indicated on rock saw identification stamp.
3. Strap rock saw to stand with approved strap supplied by Austramac or other strap capable of taking the load.
4. Ensure quick hitch is secure when lifting with excavator and pin inserted where appropriate.
5. Lift rock saw and position with lifting equipment or excavator onto transport vehicle.
6. Ensure rock saw is carefully placed on stand and does not contact ground etc. take care with blade.
7. Attach rock saw with chains or straps capable of holding the load.
8. Ensure that that transport vehicle is capable of taking load of rock saw and stand as indicated on rock saw identification badge.
9. Unload rock saw and stand following above procedures in reverse.
10. Carefully place rock saw and stand on secure level ground.

2.3 Installation and Commissioning:

The rock saw comes with all parts assembled ready for use. **Operators should consult Austramac prior to completing any service, repair or modifications.** It is essential that the rock saw is securely attached to the excavator at all times to prevent serious injury to operators or others and damage to the machine. Operators must attach the rock saw as indicated below and perform a “**Prestart Check**” on the machine prior to use (a sample prestart check has been provided at the end of this manual).

Installation and commissioning guidelines:

1. Connect rock saw to excavator with quick hitch or manually secure pin. Operator to ensure that:
 - a. Quick hitch (or pins) match the rock saw pick up.
 - b. Pin is always securely inserted in quick hitch.
 - c. All debris is removed from attachment points.
 - d. The pick up devices are securely attached to the saw.
 - e. All operators must be educated on connection procedure at handover.
 - f. Head bracket bolts are tight.
2. Connect hydraulic hoses. Operators to ensure:
 - a. All operators must be educated on connection procedure at handover.
 - b. Connections are tight and are not cross threaded.
 - c. Appropriate hose and connections are used.
 - d. Pressure limiting device is installed.
 - e. Maximum pressure and flow rates do not exceed levels indicated on identification badge.
 - f. Hoses are kept clear of blade at all times.
3. Connect water hose. Operators to:
 - a. Ensure water hose is connected for every cut.
 - b. Ensure that flow rate is appropriate to control dust and cool blade.
 - c. Cease cutting if water stops.
4. Pre start check list of rock saw (sample attached at end of manual) to be completed prior to every operation. Pre start check should include but not be limited to:
 - a. Operator to check connection to excavator is secure
 - b. Hoses are connected appropriately.
 - c. Head bracket is tight
 - d. Rock Saw guard is in the correct position and secure.
 - e. No more than two segments in a row missing on the blade and no more than 4 in total are missing.
 - f. Adequate cutting time left on blade (minimum 3 mm).
 - g. Blade bolts are tightened to 120Nm and flange bolts to 140Nm.
5. Operator to warm up hydraulic fluid, **ensure hydraulic fluid in excavator is free of contamination and complete test run prior to cutting.**

2.4 Use

Inappropriate use of the rock saw may cause serious injury or death. It is essential that operators follow the instructions for use and that they follow the instructions provided at the handover of the machine. Operators should also consult the operator's manual for the excavator and where necessary hold the appropriate excavator licence. The following job steps and safety precautions outline the requirements for safe use of the rock saw.

2.4.1 Secure work site

1. Ensure worksite is secure and signposted at all times.
2. No persons to enter 30m exclusion zone.
3. Persons to never stand in the same plane as the cutting blade.
4. Ensure guard is appropriate position at all times.
5. Operators must hold appropriate license for excavator.
6. Induction to be completed with all operators prior to commencement.

2.4.2 Plan for cut

1. Site controller to discuss cut with operator and plan procedure.
2. Services inspection to be completed prior to cut (Dial before you dig).
3. Operator to inspect site for all hazards including overhead wires, structures, hazardous slopes, trenches or slippery surfaces.
4. Warn all other workers in vicinity of works being completed.

2.4.3 Position excavator

1. Operator to ensure excavator is on stable level footings and secure.
2. Operator to follow excavator operating instructions.
3. Never attempt to move or stop the excavator using the saw as a lever.
4. Operator to complete "two point test" at start and of cut to check alignment.

2.4.4 Operate saw

1. Operator and others in immediate work area to wear hearing protection.
2. Operator and others in immediate work area to wear eye protection at all times.
3. Operator to ensure guard and mud flap are in position and in good condition.
4. Operator to work inside appropriately screened excavator.
5. Operator not to work in same plane as saw.
6. Ensure operator is at least 600mm outside plane of saw.
7. Never place pressure on blade, do not pull through cut.
8. Operator to cut in downward motion using weight of saw, complete cut then raise the saw and move to next cut.
9. Ensure saw is lined up with previous cut and aligned correctly.
10. Do not exceed maximum hydraulic pressure or flow rate of saw (as indicated on identification label).
11. Keep blade well clear of excavator at all times.
12. Do not remove guards or mud flap.
13. Ensure metal part of blade is touching ground on side mud is being ejected.

Use (Continued):

14. If parts of guard are removed for detailed cuts operator to ensure that appropriate screen is in place to protect operator from being hit by flying objects. All other persons must be moved to a distance of 30m from saw.

15. Removal of guard is not recommended

16. Operator to check all equipment as listed in pre start check (above) after completing a test cut.

17. Equipment to be checked every hour for damage or lose bolts.

18. Operator to only use approved Austramac blade designed for material being cut and the correct size for the rock saw (see identification label).

19. Operator to observe blade at all times while cutting, if circular scratches are observed on boundary wall, or blade begins to wobble cease cutting immediately and check bolts.

20. Never use blade that is out of tension.

21. Ensure that excavator is operated as per manufactures instructions and appropriate warning lights and signals are operating.

22. Once the cut is complete slowly raise the saw so that only approximately 100mm of blade is still in the cut. Turn off oil and allow blade to stop in cut. Remove saw from cut and place on stand.

2.4.5 Clean saw

1. At completion of work operator to wash down rock saw to assist with inspection and clean parts.

2.4.6 Post use inspection

1. Operator to inspect the saw at completion of cutting and at regular intervals.

2. Operator to check connection to excavator secure, hoses are connected appropriately, head bracket is tight, the guard is in the correct position and secure, no more than two segments in a row missing and no more than a total of four missing on the blade, adequate cutting time left on blade (minimum 3mm), bolts to blade are tightened to 120Nm and flange to 140Nm, all components and bearings are tight.

3. Operator to wear leather gloves and never place hand over hydraulic leaks.

4. Operator to ensure that they have the excavator key with them when completing inspections to avoid unexpected start up.

3. MAINTENANCE AND SERVICING

The rock saw is a precision instrument and must be handled with care. The blade and other components are designed for high speed low torque cutting and do not require excessive force to perform their operations. Operators should always take care with the machine and only use it for the processes it is designed to perform. If the rock saw is maintained and used correctly the rock saw will have a long life and will perform exceptionally well. It is also important that the excavator is maintained as this will impact on the rock saw. **The excavator oil should be free from contamination, the pick up should be tight and the bushes in the excavator arm should not be worn.**

The following maintenance and servicing is recommended:

1. Equipment to be inspected before and after every use as outlined in the pre start checklist.
2. The rock saw must be serviced by qualified person (Approved by Austramac) every 500 hours of operation or as necessary.
3. Rock saw motor lubrication to be changed every 500 hours or as necessary.
4. Blade to be serviced if more than two segments in a row are missing, more than a total of 4 segments missing, if the metal is less than 5 mm thick or if segments are worn out (less than 3mm).
5. Blade to be serviced if it has lost tension.
6. Blade replacement and repair should be undertaken by approved Austramac technicians.
7. If replacing blade ensure blade bolts are tightened to 120Nm and flange bolts to 140Nm.
8. **Never apply anti seize or lubrication to bolts.**

The maintenance manual supplied should be filled in at all maintenance and kept with the machine along with the operators manual and the pre start checks.



4. SUGGESTED PRE START CHECK

Rock Saw Number:					
Operator:					
Date:					
Inspection Item:					
					Check
Are pick up and the quick hitch (or pins) securely attached to the rock saw?					
Are hydraulic hoses appropriately secured and in good condition?					
Is the water attached and is flow rate adequate?					
Is the guard in the correct position and secure?					
Are there no more than two segments in a row missing and no more than 4 in total missing on saw blade?					
Is there adequate cutting time left on blade (minimum 3 mm)?					
Are the blade bolts tightened to 120Nm and flange bolts to 140Nm?					
Is the blade still in tension?					
Is there no play in excavator arm?					
Is the work area secure and all persons are moved to a safe distance?					
Has a survey of the site been completed including all underground services, overhead wires or other structures that may cause a hazard?					
Is the excavator in a stable secure position?					
Are the operator and others in immediate work area wearing appropriate face, hearing and head protection?					
Is the guard and mud flap in position and in good condition?					
Is the excavator oil free from contaminants?					



5. HAND OVER FORM

Rock Saw serial number:			
Customer Name:			
Individual Receiving Machine:			
Date Supplied:			
Austramac Representative:			
Item			
	Yes	No	
Pre Start check completed			
10 minute running in completed			
Customer educated on safe use			
Operators manual supplied			
Operator deemed competent in operation.			
Machine in sound working order			
Comments:			
I as the authorised customer representative confirm that I have received instruction on the use of the rock saw and have received the operator's manual. I understand and will follow all safety instructions provided.			
Signed Customer		Name	
Signed Austramac Representative		Name	